

## INSTALLATION INSTRUCTIONS FOR INSTALLING SCREEN FACE KIT FOR USE WITH THE RAVELLE™ 42 GAS FIREPLACE



### KIT CONTENTS (See Figure 1):

Please ensure that all these parts are included

- 1 ea. Screen Face [Complete] (A)
- 1 ea. Two Upper Brackets w/Screws (B)
- 1 ea. Two Lower Brackets w/Speed Nuts (C)
- 1 ea. Mounting Hardware (D)
  - 6 ea. #10 Washers
  - 6 ea. 10-24 Hex Nuts
  - 4 ea. 10-24 Allen Head Screws
  - 2 ea. 1/4" 20 Phillips Head Screws
- 1 ea. Instruction Sheet

Cat. No.	Model	Description
75029	SCREEN-42	Screen Face, Double Door, Black

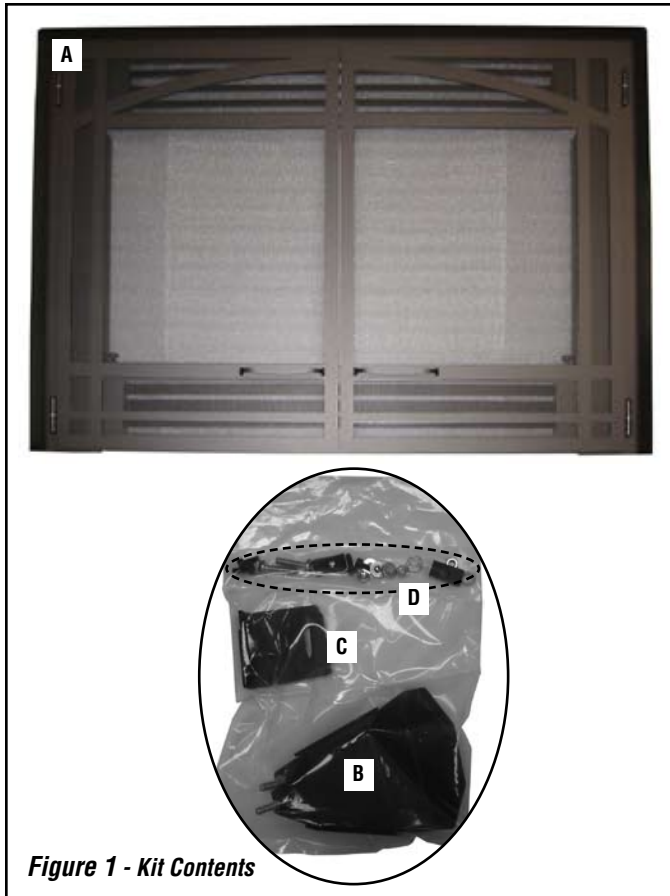


Figure 1 - Kit Contents

NOTE: DIAGRAMS & ILLUSTRATIONS ARE NOT TO SCALE

### TOOLS NEEDED:

- Phillips Head Screw Driver
- 3/8" Socket/nut Driver
- 5/32" Allen Wrench or T-Handle Wrench

### GENERAL INFORMATION

If you encounter any problems, need clarification of these instructions or are not qualified to properly install this kit, contact your local distributor or dealer.

Read this instruction sheet in its entirety before beginning the installation.

**All of these parts may scratch and bend, great care should be used in handling them.**

**ALL WARNINGS AND PRECAUTIONS IN THE INSTALLATION AND OPERATION MANUAL PROVIDED WITH THE APPLIANCE APPLY TO THESE INSTRUCTIONS.**

**TURN OFF THE FIREPLACE AND ALLOW IT TO COMPLETELY COOL BEFORE PROCEEDING.**

### INSTALLATION INSTRUCTIONS

**Step 1.** Ensure the reveal corner is positioned as shown in *Figure 1*. If it needs to be adjusted to the position shown in *Figure 1*, see *Page 12* of the *Installation and Operation Manual*.

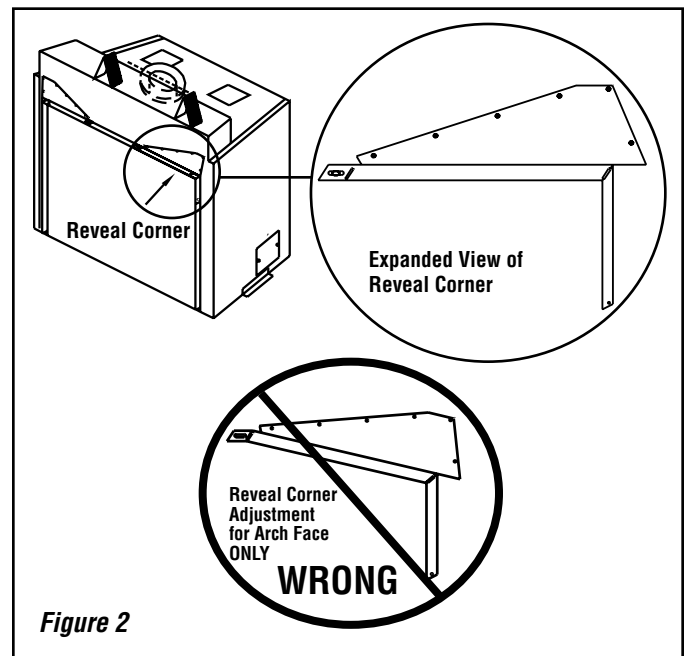
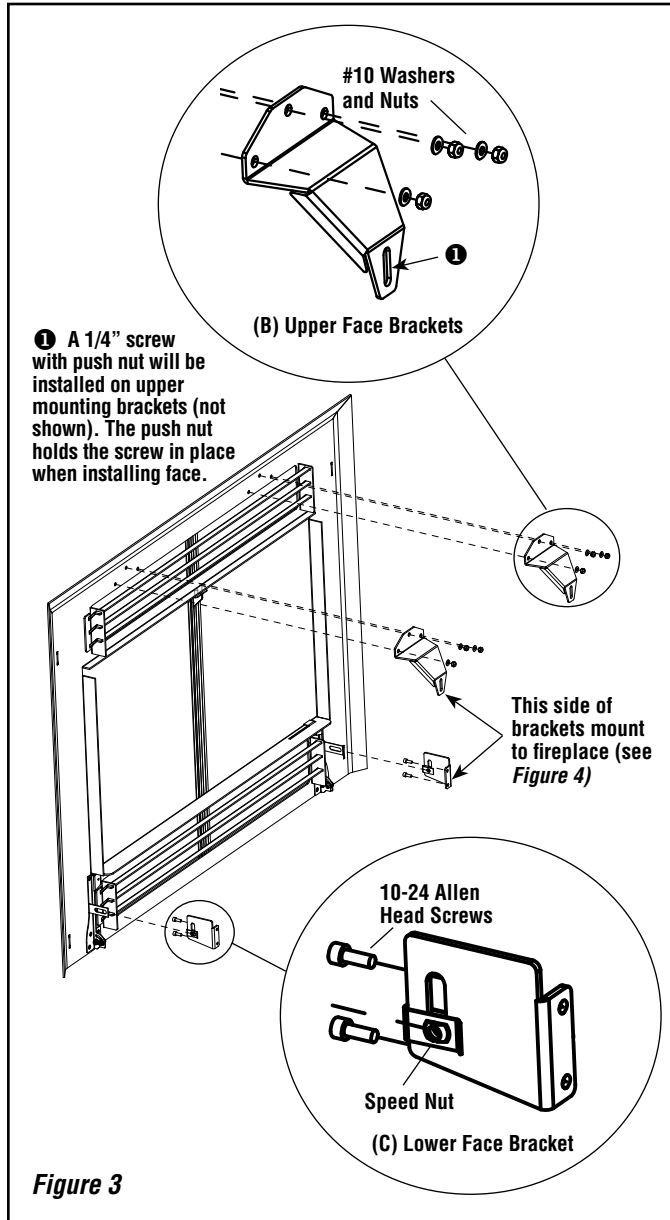


Figure 2

**Step 2.** Using a 5/32" allen wrench, remove the lower face brackets on the fireplace and replace with the lower brackets (C) using the four 10-24 allen head screws provided (see **Figures 3 and 4**). **DO NOT OVERTIGHTEN THE SCREWS.**

**Step 3.** Using a 3/8" socket or nut driver, attach the two upper mounting brackets (B in **Figure 3**) to the six pre-welded studs near the top rear of the screen face, using the six #10 washers and #10 hex nuts provided (see **Figures 3 and 4**). **DO NOT OVERTIGHTEN NUTS.**



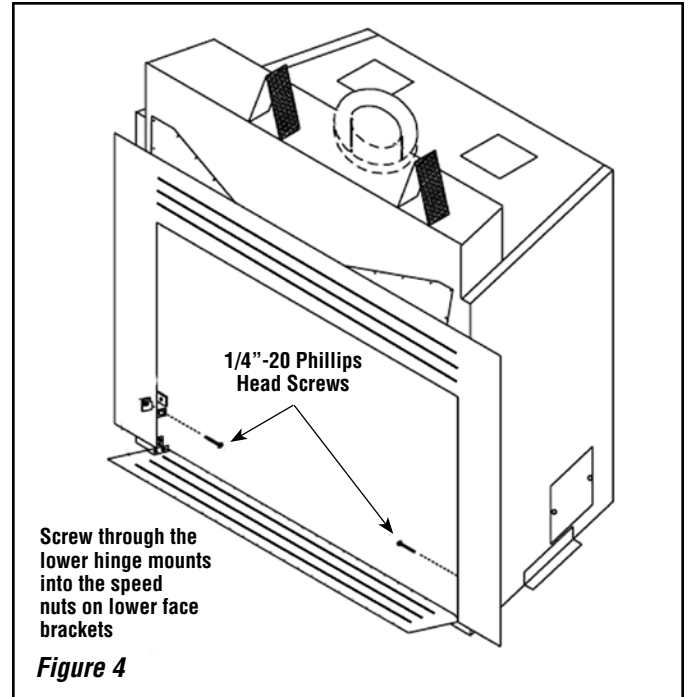
**Step 4.** Remove the screen doors from the face by gently lifting up and out of their hinges. Check to make sure the washers that separate the two halves of the hinge have not fallen off. Set the screen door aside.

**Step 5.** Using a phillips screwdriver (through upper grill opening) attach the screen face to the fireplace starting with the upper brackets. Screw the upper brackets in part way only, you will tighten them in step 7.

**Step 6.** Open the lower door on the screen face and thread the two 1/4"-20 phillips head screws (provided) through the lower hinge mounts into the speed nuts on lower face brackets, attached to the fireplace (see **Figure 4**).

**Step 7.** Adjust the alignment and depth of the screen face until it sits flush with the wall and tighten all four mounting screws. **DO NOT OVERTIGHTEN THE SCREWS.**

**Step 8.** Finish the installation by putting the screen doors back on their hinges (check to make sure the washers are in place).



NOTE: DIAGRAMS & ILLUSTRATIONS ARE NOT TO SCALE

Lennox reserves the right to make changes at any time, without notice, in design, materials, specifications, prices and also to discontinue colors, styles and products. Consult your local distributor for fireplace code information.